

4611110058701

A

B

C

D

E

F

A

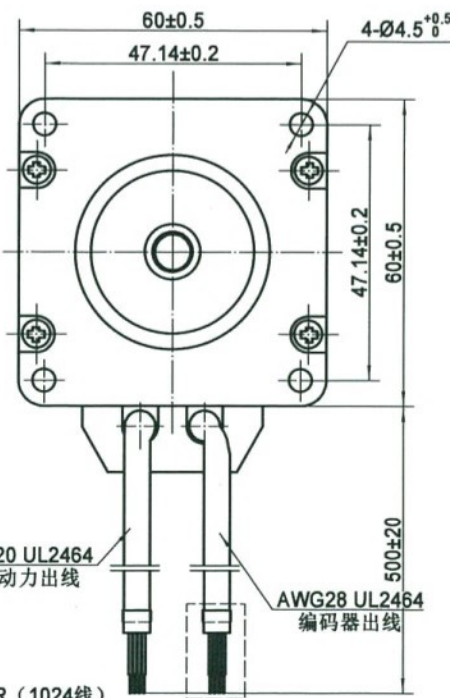
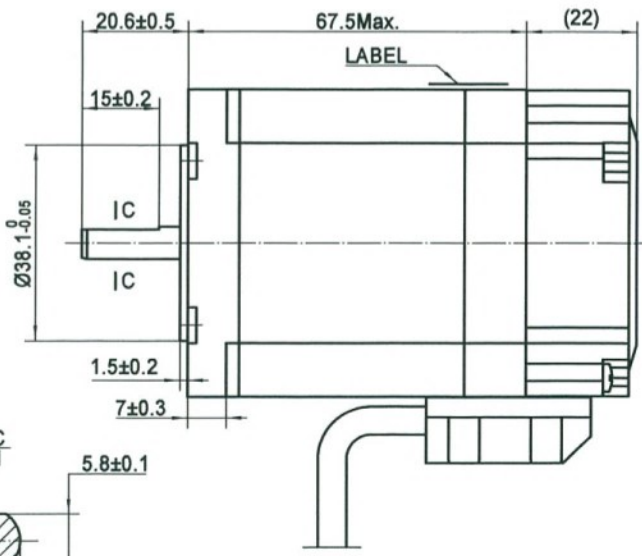
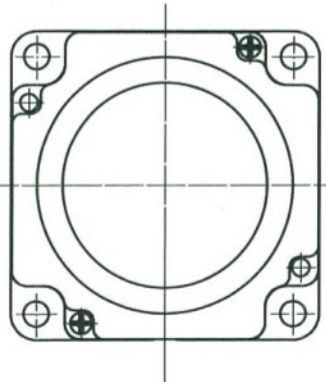
B

C

D

E

F



规格 Specifications

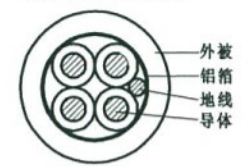
1. 相数 Number of Phase	2
2. 步距角 Step Angle	1.8°
3. 额定电压 Rated Voltage	3.3 V DC
4. 额定电流 Rated Current	3.0 Amp
5. 保持力矩 Holding Torque	2.4 Nm Typ.(Two phase on/rated current)
6. 相电阻 Phase Resistance	1.1 Ω±10%(20°C)
7. 相电感 Phase Inductance	3.0 mH±20%(1kHz 1V rms)
8. 转子惯量 Rotor Inertia	560 gcm ²
9. 电机重量 Motor Weight	1.11 kg
10. 绝缘等级 Insulation Class	B(130°C)

编码器 Encoder Detail

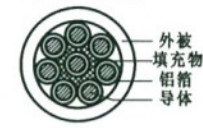
型号(Model): AM4096-1024P/R (1024线)

COLOR	WHT(白)	BLU(蓝)	GRN(绿)	ORG(橙)
SIGNAL	CH A+	CH A-	CH B+	CH B-
COLOR	YEL(黄)	BRN(棕)	RED(红)	BLK(黑)
SIGNAL	CH Z+	CH Z-	+Vcc	GND

电机动力线断面

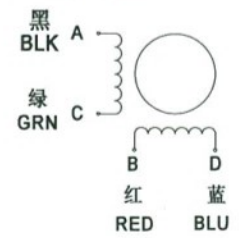


编码器线断面



接线图

Wiring Diagram



励磁顺序vs.旋转方向

Exciting Sequence vs. Direction of Rotation

	STEP	A	B	C	D	CCW
↓	1	+	+	-	-	↑
	2	-	+	+	-	
	3	-	-	+	+	
↑	4	+	-	-	+	↓

从安装面看为顺时针方向
Clockwise view from mounting side

铭牌 Label Detail

MOONS' STEPPING MOTOR
TYPE MS24HS3L4300-02R
XXXXXXXX YY/MM/DD

Work Order
加工单号

Date Format
日期格式

Unit: mm
第一角画法
FIRST ANGLE METHOD
未注线性与角度尺寸公差
Tolerances for linear and angular dimensions without individual tolerance indications
GB/T 1804-m eqv ISO 2768-1 : m
未注形状与位置尺寸公差
Geometrical tolerance for features without individual tolerance indications
GB/T 1184-K eqv ISO 2768-2 : K

批准 Approve
标准化 Standard
工艺 Technology
审核 Check
设计 Design

MOONS' Hybrid Stepping Motor
Shanghai Moons' Electric Co., Ltd.
This document is released for information only. Its reproduction in whole or in part or its dissemination to third parties is prohibited. All trademarks and registered trademarks appearing on this document are the property of their respective owners.

REV.	版本记录 REVISION RECORD	DATE	UNLESS OTHERWISE SPECIFIED	NAMES	SIGNATURE	DATE
A0	原始版本 Original revision	2021.08.25				

Type: MS24HS3L4300-02R	Rev.A0	SCALE 1:1	Sheet 1 of 1
------------------------	--------	-----------	--------------