

受控文件
鸣志电器(太仓)有限公司

MS17HD4L4040-05R

A

B

C

D

E

F

A

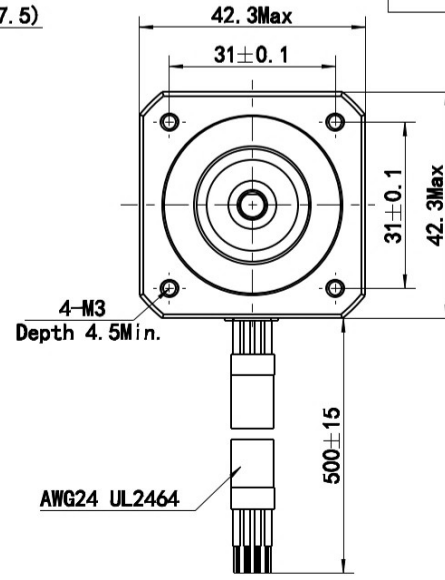
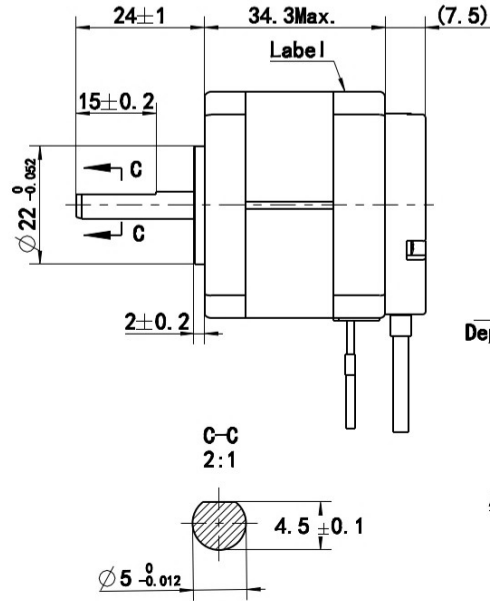
B

C

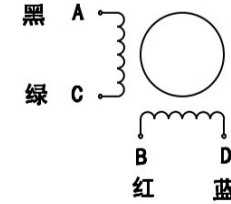
D

E

F



接线图
Wiring Diagram



励磁顺序VS. 旋转方向
Exciting Sequence vs. Direction of Rotation

STEP	A	B	C	D	CCW
1	+	+	-	-	↑
2	-	+	+	-	
3	-	-	+	+	
4	+	-	-	+	

从安装面看为顺时针方向
Clockwise view from mounting side

铭牌 Label Detail

XXXXXXXX-Work Order 加工单号
YY/MM/DD-Date Format 日期格式



矩阵式二维码
码制: Data Matrix

二维码内容: XXXXXXXX-XXXX
加工单号-流水号

混合式步进电机规格 Hybrid Stepping Motor Specifications

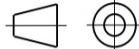
1. 相数 Number of Phase	2
2. 步距角 Step Angle	1.8°
3. 额定电压 Rated Voltage	12 V DC
4. 额定电流 Rated Current	0.4 Amp
5. 保持力矩 Holding Torque	0.34 Nm Typ. (Two phase on/rated current)
6. 相电阻 Phase Resistance	30 ohm ±10% (20°C)
7. 相电感 Phase Inductance	45 mH ±20%(1kHz 1V rms)
8. 转子惯量 Rotor Inertia	38 gcm ²
9. 电机重量 Motor Weight	0.23 kg
10. 绝缘等级 Insulation Class	B (130°C)

编码器 Encoder detail (1024 ppr)

SIGNAL	CH A	CH B	+Vcc	GND
COLOUR	蓝 BLU	绿 GRN	红 RED	黑 BLK

Unit:mm

第一角画法
First angle method



未注线性与角度尺寸公差
Tolerances for linear and angular dimensions
without individual tolerance indications
GB/T 1804-m eqv ISO 2768-1:m

未注形状与位置尺寸公差
Geometrical tolerance for features without
individual tolerance indications
GB/T 1184-K eqv ISO 2768-2:K

批准 Approve

标准化 Standardize

工艺 Process Review

审核 Check

设计 Design

MOONS'
moving in better ways

This document is released for information only. Its reproduction in whole or in part or its dissemination to third parties is prohibited. All trademarks and registered trademarks appearing on this document are the property of their respective owners.

REV. 版本记录 REVISION RECORD DATE UNLESS OTHERWISE SPECIFIED NAMES SIGNATURE DATE Drawing No: 4611110058937 Rev. A2 SCALE: 1:1 Sheet 1 of 1

1 2 3 4 5 6 7 8