

受控文件

上海鸿志电器股份有限公司

A

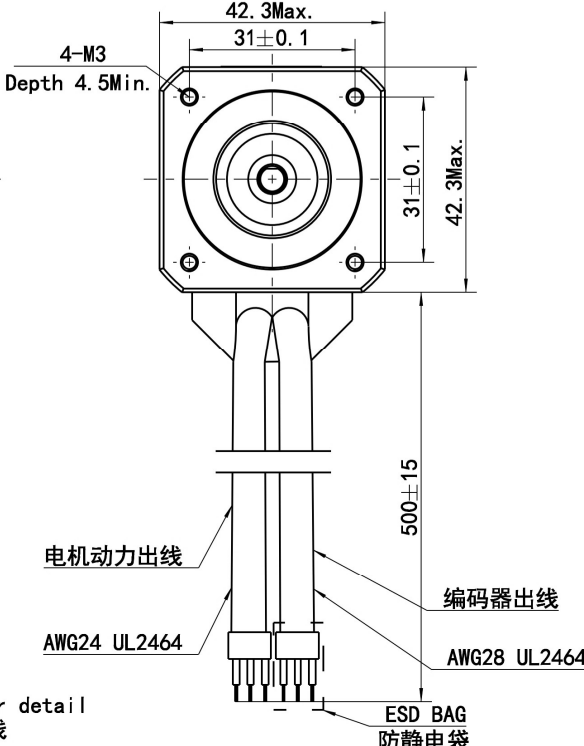
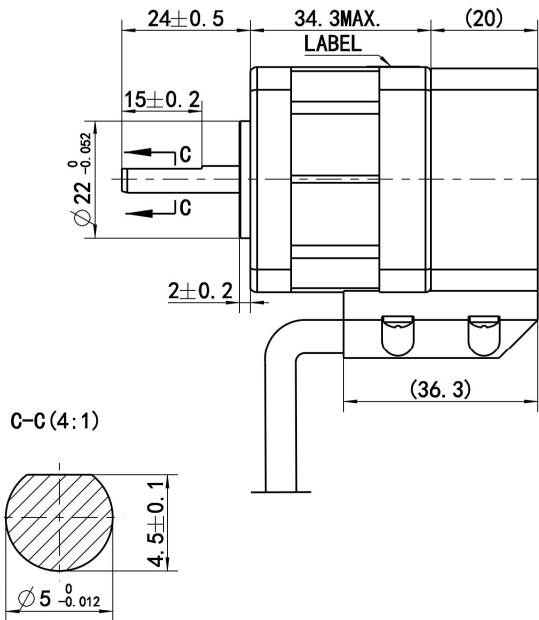
B

C

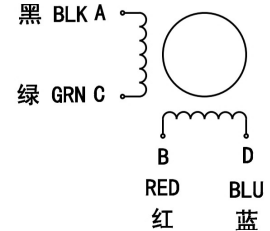
D

E

F



接线图 Wiring Diagram



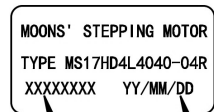
励磁顺序VS. 旋转方向 Exciting Sequence vs. Direction of Rotation

STEP	A	B	C	D	CCW
1	+	+	-	-	↑
2	-	+	+	-	
3	-	-	+	+	
4	+	-	-	+	

↓ CW

从安装面看为顺时针方向
Clockwise view from mounting side

铭牌 Label Detail

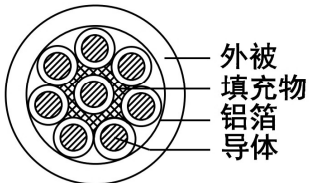


Work Order 加工单号, Date Format 日期格式

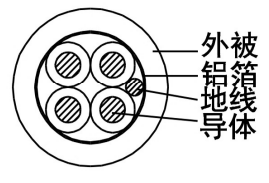
编码器 Encoder detail
分辨率: 1024线

COLOR	WHT (白)	BLU (蓝)	GRN (绿)	ORG (橙)
SIGNAL	CH A+	CH A-	CH B+	CH B-
COLOR	YEL (黄)	BRN (棕)	RED (红)	BLK (黑)
SIGNAL	CH Z+	CH Z-	+Vcc	GND

编码器电缆线断面



电机电缆线断面



规格 Specifications	
1. 相数 Number of Phase	2
2. 步距角 Step Angle	1.8°
3. 额定电压 Rated Voltage	12 V DC
4. 额定电流 Rated Current	0.4 Amp
5. 保持力矩 Holding Torque	0.34 Nm Typ. (Two phase on/rated current)
6. 相电阻 Phase Resistance	30 ohm ±10% (20°C)
7. 相电感 Phase Inductance	45 mH ±20% (1kHz 1V rms)
8. 转子惯量 Rotor Inertia	38 gcm ²
9. 电机重量 Motor Weight	0.25 kg
10. 绝缘等级 Insulation Class	B (130°C)

Unit:mm
第一角画法
First angle method
未注线性与角度尺寸公差
Tolerances for linear and angular dimensions
without individual tolerance indications
GB/T 1804-m eqv ISO 2768-1:m
未注形状与位置尺寸公差
Geometrical tolerance for features without
individual tolerance indications
GB/T 1184-K eqv ISO 2768-2:K

批准 Approve
标准化 Standardize
工艺 Process Review
审核 Check
设计 Design

MOONS' Hybrid Stepping Motor
Shanghai Moons' Electric Co., Ltd.
This document is released for information only. Its reproduction in whole or in part or its dissemination to third parties is prohibited. All trademarks and registered trademarks appearing on this document are the property of their respective owners.

REV.	版本记录 REVISION RECORD	DATE	UNLESS OTHERWISE SPECIFIED	NAMES	SIGNATURE	DATE	Type: MS17HD4L4040-04R	Rev. A1	SCALE 1:1	Sheet 1 of 1
A1	ECR:21-1819 (无变更)	2021.11.24								
A0	原始版本 Original revision	2021.07.28								