

受 控 文 件

上海鸣志电器股份有限公司

A

B

C

D

E

F

A

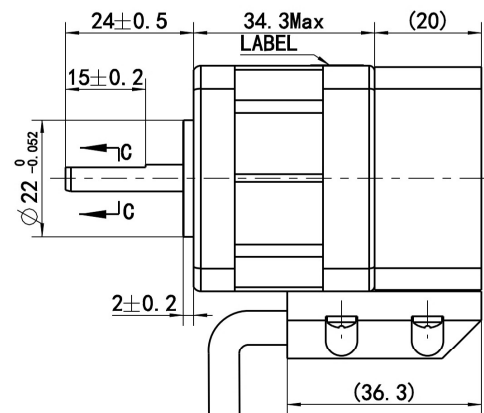
B

C

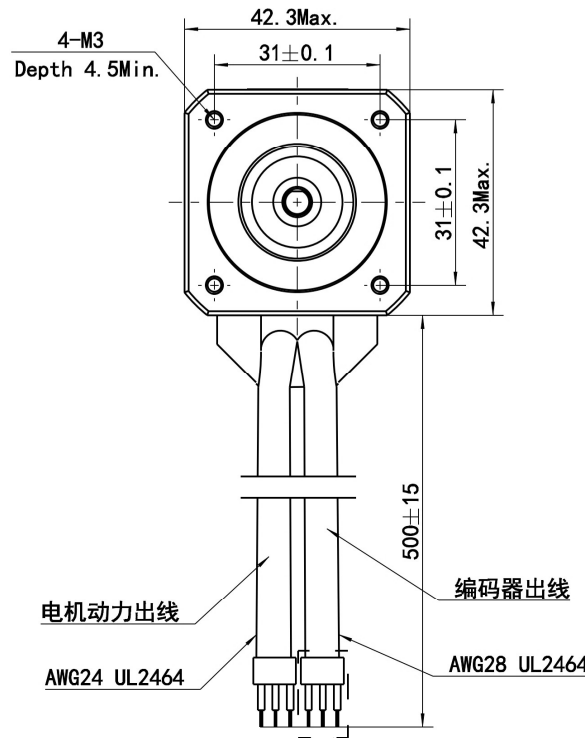
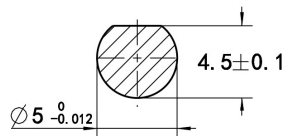
D

E

F



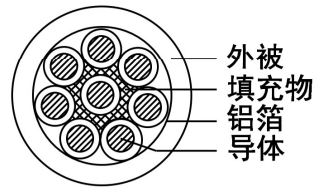
C-C (3:1)



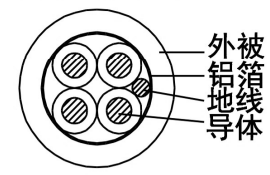
编码器 Encoder detail  
分辨率: 1000线

COLOR	WHT (白)	BLU (蓝)	GRN (绿)	ORG (橙)
SIGNAL	CH Z-	CH Z+	CH B-	CH B+
COLOR	YEL (黄)	BRN (棕)	RED (红)	BLK (黑)
SIGNAL	CH A-	CH A+	+Vcc	GND

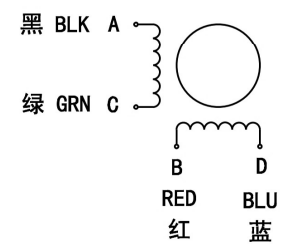
编码器电缆线断面



电机电缆线断面



接线图  
Wiring Diagram



励磁顺序VS. 旋转方向  
Exciting Sequence vs. Direction of Rotation

STEP	A	B	C	D	CW
1	+	+	-	-	↑
2	-	+	+	-	
3	-	-	+	+	
4	+	-	-	+	

从安装面看为顺时针方向  
Clockwise view from mounting side

铭牌 Label Detail



Work Order 加工单号  
Date Format 日期格式

规格 Specifications	
1. 相数 Number of Phase	2
2. 步距角 Step Angle	1.8°
3. 额定电压 Rated Voltage	12 V DC
4. 额定电流 Rated Current	0.4 Amp
5. 保持力矩 Holding Torque	0.34 Nm Typ. (Two phase on/rated current)
6. 相电阻 Phase Resistance	30 ohm ±10% (20°C)
7. 相电感 Phase Inductance	45 mH ±20% (1kHz 1V rms)
8. 转子惯量 Rotor Inertia	38 gcm <sup>2</sup>
9. 电机重量 Motor Weight	0.24 kg
10. 绝缘等级 Insulation Class	B (130°C)

Unit:mm  
第一角画法  
First angle method

未注线性与角度尺寸公差  
Tolerances for linear and angular dimensions  
without individual tolerance indications  
GB/T 1804-m eqv ISO 2768-1:m

未注形状与位置尺寸公差  
Geometrical tolerance for features without  
individual tolerance indications  
GB/T 1184-K eqv ISO 2768-2:K

批准 Approve	
标准化 Standardize	
工艺 Process Review	
审核 Check	
设计 Design	

**MOONS'** Hybrid Stepping Motor  
Shanghai Moons' Electric Co., Ltd.

This document is released for information only. Its reproduction in whole or in part or its dissemination to third parties is prohibited. All trademarks and registered trademarks appearing on this document are the property of their respective owners.

REV.	版本记录 REVISION RECORD	DATE	UNLESS OTHERWISE SPECIFIED	NAMES	SIGNATURE	DATE	Type: MS17HD4L4040-03R	Rev. A1	SCALE 1:1	Sheet 1 of 1
------	----------------------	------	----------------------------	-------	-----------	------	------------------------	---------	-----------	--------------