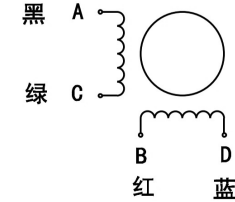


受控文件  
鸣志电器(太仓)有限公司

MS17HD2L4100-29R

接线图  
Wiring Diagram



励磁顺序VS. 旋转方向  
Exciting Sequence vs. Direction of Rotation

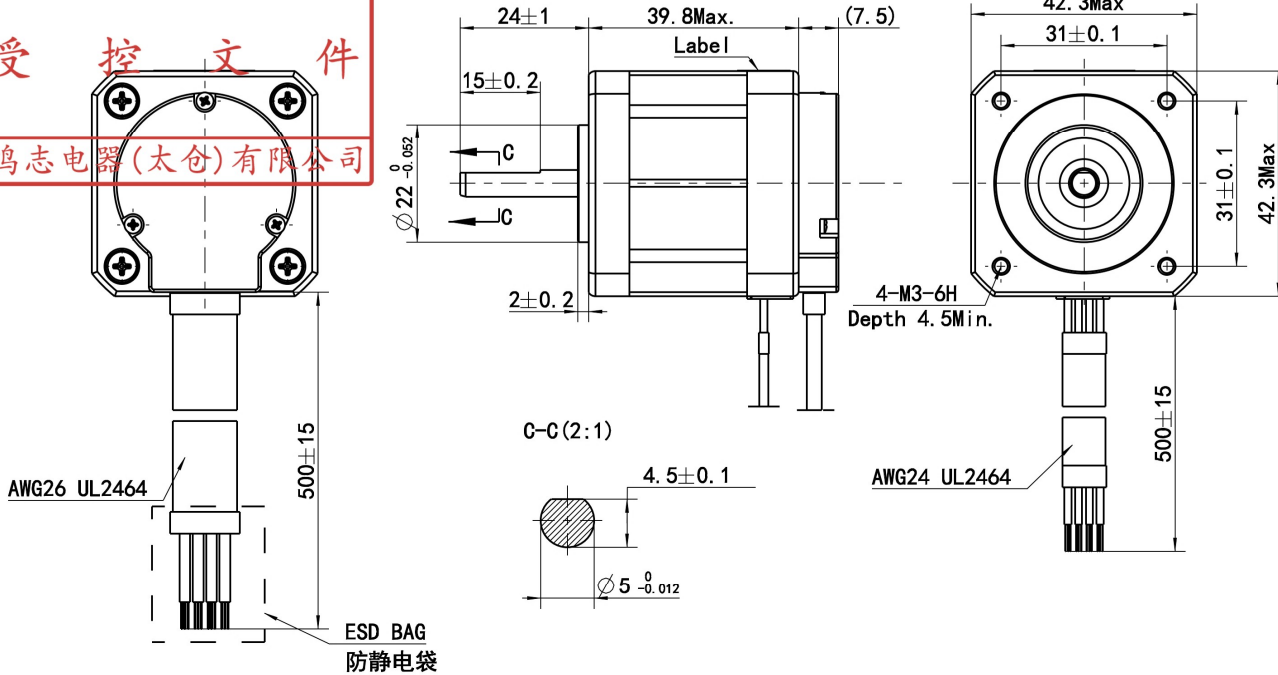
STEP	A	B	C	D	CW
1	+	+	-	-	↑
2	-	+	+	-	
3	-	-	+	+	
4	+	-	-	+	

从安装面看为顺时针方向  
Clockwise view from mounting side

铭牌 Label Detail

MOONS' STEPPING MOTOR  
TYPE MS17HD2L4100-29R  
XXXXXXXX YY/MM/DD

Work Order 加工单号  
Date Format 日期格式



编码器 Encoder detail (1024 ppr) △

SIGNAL	CH A	CH B	+Vcc	GND
COLOUR	蓝 BLU	绿 GRN	红 RED	黑 BLK

规格 Specifications	
1. 相数 Number of Phase	2
2. 步距角 Step Angle	1.8°
3. 额定电压 Rated Voltage	3.9 V DC
4. 额定电流 Rated Current	1 Amp
5. 保持力矩 Holding Torque	0.48 Nm Typ. (Two phase on/rated current)
6. 相电阻 Phase Resistance	3.9 ohm ±10% (20°C)
7. 相电感 Phase Inductance	8.9 mH ±20% (1kHz 1V rms)
8. 转子惯量 Rotor Inertia	57 gcm <sup>2</sup>
9. 电机重量 Motor Weight	0.3 kg
10. 绝缘等级 Insulation Class	B (130°C)

Unit:mm  
第一角画法  
First angle method  
未注线性与角度尺寸公差  
Tolerances for linear and angular dimensions  
without individual tolerance indications  
GB/T 1804-m eqv ISO 2768-1:m  
未注形状与位置尺寸公差  
Geometrical tolerance for features without  
individual tolerance indications  
GB/T 1184-K eqv ISO 2768-2:K

批准 Approve	
标准化 Standardize	
工艺 Process Review	
审核 Check	
设计 Design	

**MOONS'**  
*moving in better ways*

This document is released for information only. Its reproduction in whole or in part or its dissemination to third parties is prohibited. All trademarks and registered trademarks appearing on this document are the property of their respective owners.

REV.	版本记录 REVISION RECORD	DATE	UNLESS OTHERWISE SPECIFIED	NAMES	SIGNATURE	DATE	Drawing No: 4611110043231	Rev. A1	SCALE: 1:1	Sheet 1 of 1
A1	ECR:22-1524, 共1处	2022. 12. 12								
A0	原始版本 Original revision	2021. 10. 14								