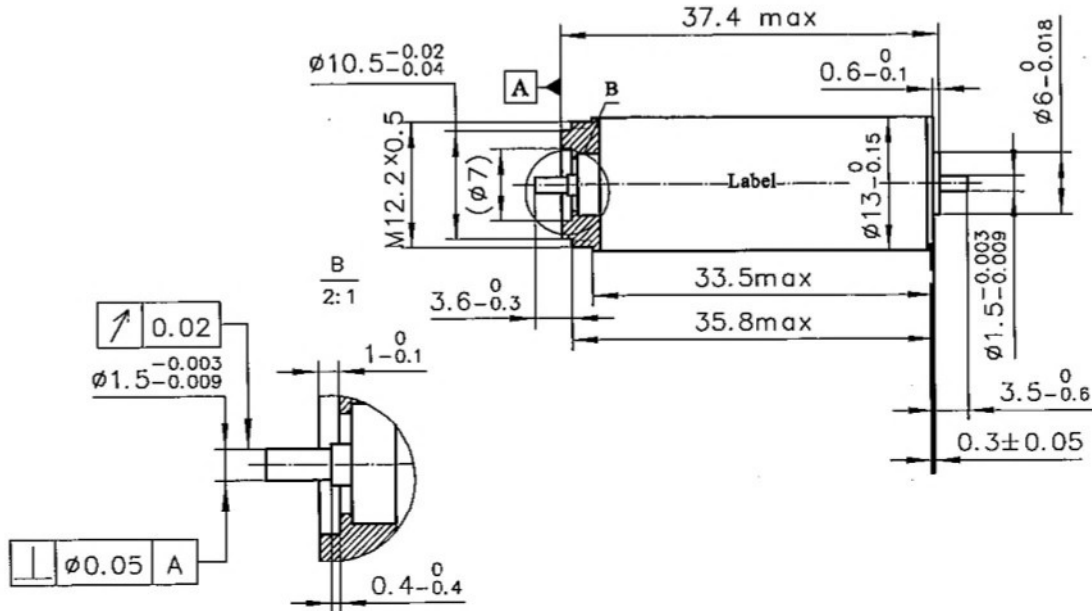
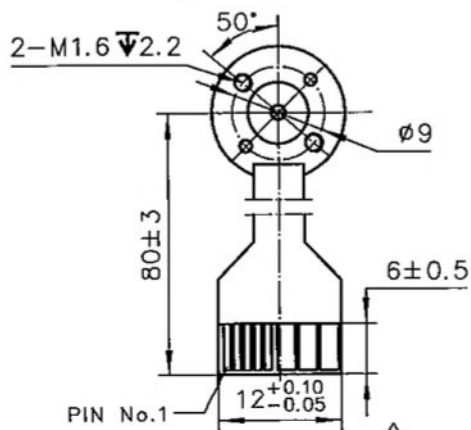


461118000006

(带霍尔传感器)
(With hall sensors)

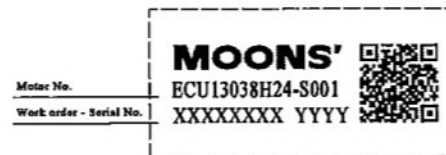


规格/Specifications	Values	Tolerance	Unit
额定电压/Nominal voltage	24	Typical	V
空载转速/No load speed	24500	±10%	RPM
空载电流/No load current	90	±50%	mA
名义转速/Nominal speed	20420	Typical	rpm
最大连续转矩/Max.continuous torque	4.44	Typical	mNm
最大连续电流/Max.continuous current	0.559	Typical	A
额定转速/Rated speed	20565	±10%	RPM
额定转矩/Rated torque	3.0	Typical	mNm
额定电流/Rated current	0.36	±10%	A
堵转转矩/Stall torque	26.39	Typical	mNm
堵转电流/Stall current	2.79	Typical	A
最大效率/Maximun efficiency	67.3	Typical	%
电机极数/Number of poles	2		
相数/ Number of phases	3		
相间电阻/Terminal resistance phase to phase	8.6	±8%	Ω
相间电感/Terminal inductance phase to phase	130	Typical	μH
转矩常数/Torque constant	9.45	Typical	mNm/A
转速常数/Speed constant	1010	±10%	RPM/V
机械时间常数/Mechanical time constant	3.13	Typical	ms
转子惯量/Rotor inertia	0.325	Typical	gcm ²
电机质量/Weight of motor	29	±5%	g
使用温度范围/Ambient Temperature	-40~+100		℃
绝缘等级/Insulation class	F		

PIN No.	信号/Signal
1	4.5-24VDC
2	霍尔传感器3/Hall IC 3
3	霍尔传感器1/Hall IC 1
4	霍尔传感器2/Hall IC 2
5	GND
6	电机绕组3/Winding 3
7	电机绕组2/Winding 2
8	电机绕组1/Winding 1

Connector: Tyco 1-84953-1
Molex 52207-1133 / 52089-1119

铭牌/Label Detail



备注:1.铭牌使用激光雕刻在电机表面,目视水平居中,框线不打印;
2.二维码内包括整机型号、生产工单号和序列号;

REV.	版本记录 REVISION RECORD	DATE
D1	EC号: 21-1079 修改: 3处	2021.06.12
D0	性能参数变更	2019.08.25
C	铭牌更改, 命名修改, 新增铭牌贴放位置	2017.08.30
B	命名修改	2017.01.17
A	原始版本 Original revision	2016.02.24

Unit: mm
第一角画法
FIRST ANGLE METHOD
未注公差与角度尺寸公差
Tolerances for linear and angular dimensions without individual tolerance indications
GB/T 1804-m eqv ISO 2768-1:m
未注形位公差尺寸公差
Geometrical tolerance for features without individual tolerance indications
GB/T 1186-K eqv ISO 2768-2:K

批准 Approve	NAME	SIGNATURE	DATE
标准化 Standard			
工艺 Technology			
审核 Check			
设计 Design			

MOONS' Slotless Brushless DC Motor

Shanghai Moons' Electric Co., Ltd.

This document is released for information only. Its reproduction in whole or in part or its dissemination to third parties is prohibited. All trademarks and registered trademarks appearing on this document are the property of their respective owners.

Type: ECU13038H24-S001 Rev. D1 SCALE 1:2 SHEET 1 OF 1