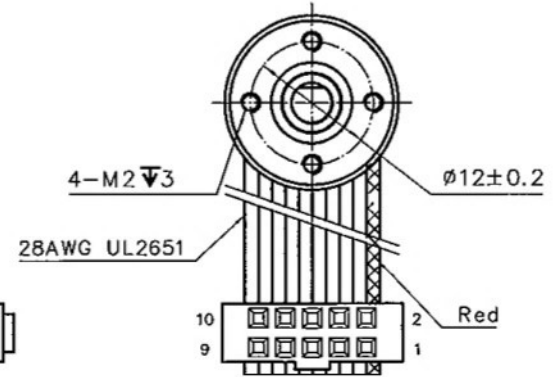
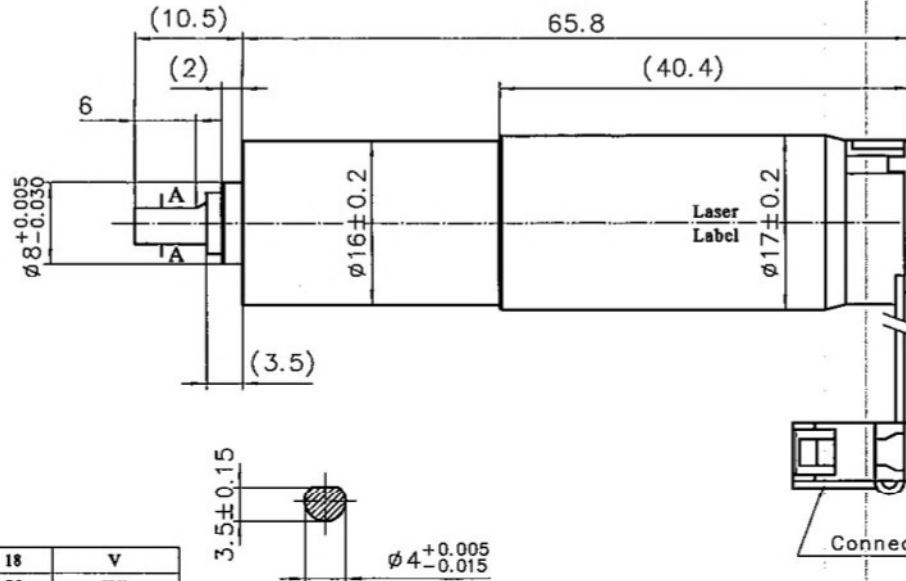
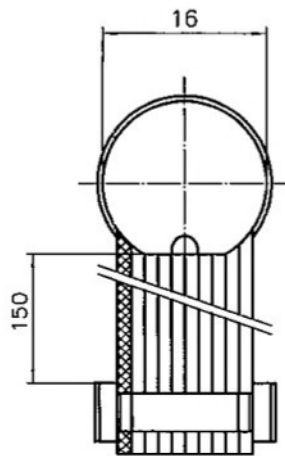


4611185000094



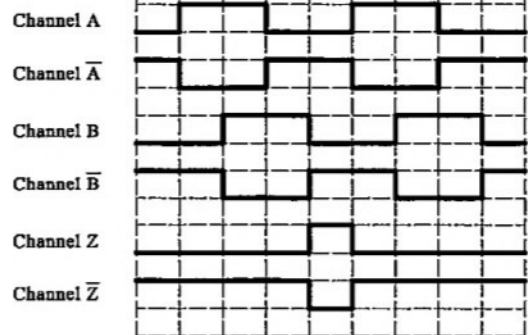
规格/Specification

额定电压/Nominal voltage	18	V
空载转速/No-load speed (±10%)	30	rpm
空载电流/No-load current (max)	66.2	mA
额定转速/Nominal speed	27	rpm
最大连续转矩/Max. continuous torque (gearhead output limit)	500	mNm
最大连续电流/Max. continuous current (gearhead output limit)	0.177	A
堵转转矩/Stall torque	7.27	Nm
堵转电流/Stall current	1.94	A
环境温度范围/Ambient temperature	-20~+85	°C
重量/Weight	79.4	g
端电阻/Terminal resistance (motor) (±8%)	9.3	Ω
转矩常数/Torque constant (motor) (±8%)	15.40	mNm/A
转速常数/Speed constant (motor) (±8%)	620	rpm/V
转速/转矩斜率/Speed/torque gradient (motor)	373	rpm/mNm
电机空载转速/No-load speed (motor)	11000	rpm
电刷类型/Brushes type (motor)	Graphite brushes	
级数/Number of stages (gearhead)	4	
减速比/Reduction ratio (gearhead)	369.59:1	
效率/Efficiency (gearhead)	66%	
类型/Type (encoder)	Incremental, Magnetic	
脉冲/转/Counts per turns (encoder)	512	
通道数/Number of channels (encoder)	3	

A-A

PIN No.	功能/Function
1	Motor (+)
2	Vcc (5V)
3	GND
4	Motor (-)
5	Channel A
6	Channel A
7	Channel B
8	Channel B
9	Channel Z
10	Channel Z

输出信号/Output Signal



线束相对于安装孔的位置±30°

铭牌/Label Detail



备注：二维码内包含产品名称、工单号、序列号。

A1	EC: 21-1562中, 修改3处	2021.09.23
A0	原始版本 Original revision	2019.05.09
REV.	版本记录 REVISION RECORD	DATE

Unit: mm  
 第一角画法  
 FIRST ANGLE METHOD  
 未注线性与角度尺寸公差  
 Tolerances for linear and angular dimensions without individual tolerance indications  
 GB/T 1804-m eqv ISO 2768-1:m  
 未注形位与位置尺寸公差  
 Geometrical tolerances for features without individual tolerance indications  
 GB/T 1184-K eqv ISO 2768-2:K

批准 Approve	
标准化 Standard	
工艺 Technology	
审核 Check	
设计 Design	
NAMES	SIGNATURE
	DATE

**MOONS'** Coreless Brushed DC Motor  
 Shanghai Moons' Electric Co., Ltd.

This document is released for information only. Its reproduction in whole or in part or its dissemination to third parties is prohibited. All trademarks and registered trademarks appearing on this document are the property of their respective owners.

Type: DCU17035G18-S005 + R16-512 + PG16C-0369  
 Rev. A1 SCALE 1:1 SHEET 1 OF 1